



GLOBAL MINING P R O D U C T S

Quality, Service, Value



Tire Inflating Products for Heavy Equipment



www.globalminingproducts.net

Tire Inflation Products for Heavy Equipment

Table of Contents

Super Giant Bore	3-5
Super Excel	6-8
Super Large Bore	9-13
Large Bore	14-19
Tractor Grader	20-21
Truck & Bus	22-23
Passenger	24
Gauges	25-26
Tools	27-28
Inflators	29
Chucks	30
O-Rings, L-Rings & Grommets	31
Index	32





SGB-130 - LENGTH Complete swivel valve assembly including SGB-110 & SGB-120

SGB-131 - LENGTH Same as SGB-130 but without SGB-120



SGB-135
Flexible extension only



SGB-120
Rim spud fits 15/16" hole



SGB-115
Rim spud fits 3/4" NPT hole



SGB-145
Swivel valve assembly



SGB-140
Straight valve assembly



SGB-141
Straight valve assembly

Super Giant Bore



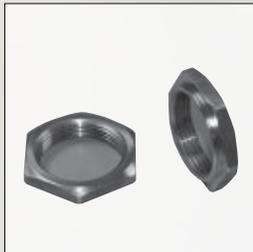
SGB-160 & SGB160/1 KITS

SGB-160

Includes: (1) SGB-110, (1) SGB-150, (1) SGB-155
(2) SGB-125, (2) SGB-100

SGB-160/1

Includes: (1) SGB-150, (1) SGB-155,
(2) SGB-125, (2) SGB-100



SGB-100



SGB-110



SGB-125



SGB-150



SGB-155



SGB SWIVEL CONNECTORS

All swivel connectors fit on SGB-115 and SGB-120 spuds

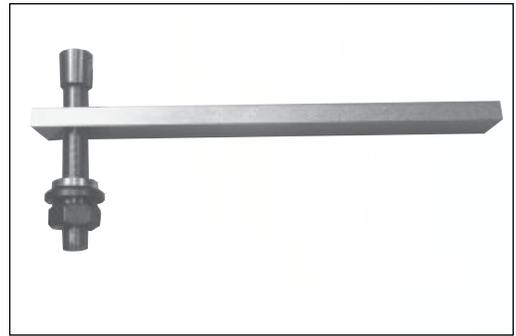


SGB-285

85° screw-in angle spud fits 3/4" NPT thread



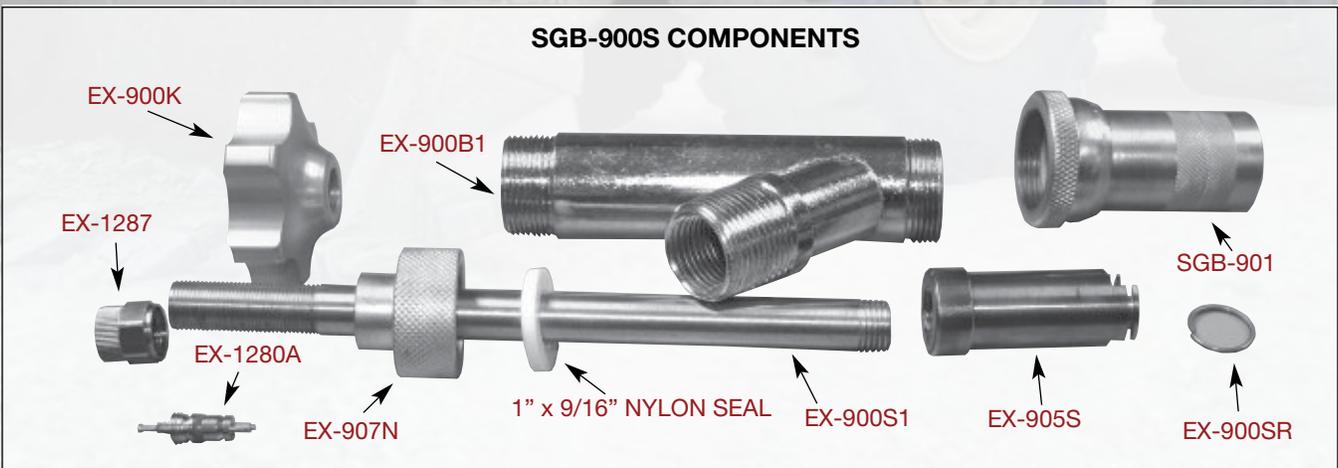
SGB-165



SGB-950
Assembly Tool



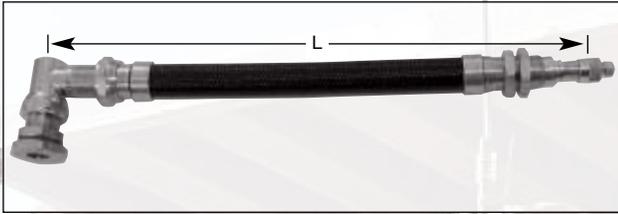
SGB-900S



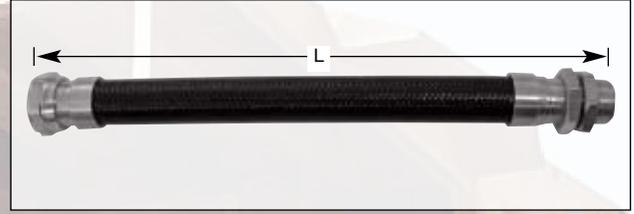
INFLATOR ADAPTOR

Permits faster and safer inflation/deflation of giant tires. Can be attached to 1/2" NPT or 3/4" NPT.

Super Excel



SXL-1650



SXL-1800

SXL-1650 - LENGTH Complete swivel valve including SXL-1050 and SXL-1008

SXL-1600 - LENGTH Same as SXL-1650 but with SXL-1008 spud

SXL-1800 - LENGTH Flexible extension only



SXL-2000
Straight valve assembly



SXL-1400K & SXL-1400K/1 Kits

SXL-1400K

Includes: (1) SXL-1050, (1) SXL-1020, (1) SXL-1030
(2) SXL-1000, (2) SXL-1040

SXL-1400K/1

Includes: (1) SXL-1020, (1) SXL-1030
(2) SXL-1000, (2) SXL-1040



SXL-1008 **SXL1008L**
Rim spud fits 13/16" hole



SXL-1030



SXL-1040



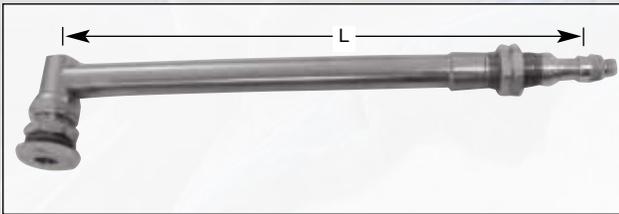
SXL-1020



SXL-1000



SXL-1050



SXL-1900 - SWIVEL VALVE ASSEMBLY

Includes SXL-1050, 2 SXL-1000 and SXL-1008 spud.



SXL-1700 - SWIVEL VALVE ASSEMBLY

Same as SXL-1900 but without the SXL-1008 spud



SXL-1010

SXL-1010 90°

SXL-1012 85°

SXL-1013 80°

SXL-1014 75°

SXL-1015 60°

All swivel connectors fit on SXL-1005, SXL-1008, SXL-1008L and SXL-1009.



SXL-1015



SXL-1500

Swivel valve assembly



SXL-1290



SXL-1075



SXL-900S

SXL-900S COMPONENTS

INFLATOR ADAPTOR

Permits faster and safer inflation/deflation of giant tires. Can be hooked to 1/2" NPT or 3/4" NPT.



SXL-1789

SXL CUSTOM VALVE

Can be formed to fit most Off-Highway trucks



SXL-930E3

SXL-930E



SXL-1018

85° Screw-in Angle Spud fits 3/4" NPT thread



SXL-1007

Loader Tire Valve (Complete)



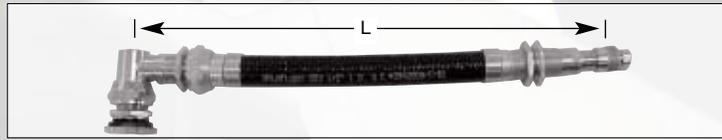
SXL-1006

85° Screw-in Angle Spud fits 1/2" NPT thread



SXL-1005 SXL-1009

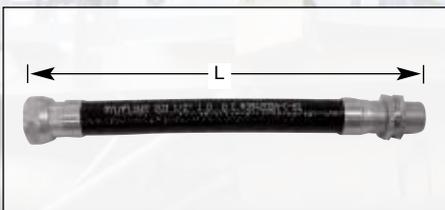
Screw-in Spud fits 1/2" NPT & 3/4" NPT thread



EXM-1950



EXM-1950



EXM-3000

EXM-1950 - LENGTH Complete swivel valve including EXR-520 core housing and EXT-81 spud.

EXM-1900 - LENGTH Same as EXM-1950, but without EXT-81 spud.

EXM-3000 - LENGTH Flexible extension only.



EXDS-296



EXM-4000

Super Large Bore Double Spud Valve Assembly. Designed for wheel where space is critical. Valve height above rim is only 7/8". Consists of EXDS-210, EXDS-215, EXM-4000 & EXR-520

Flexible Extension for EXDS-296. Any length may be ordered Includes: EXDS-226, EXR-763, EXR-764R, EXR-760, EXB-222



EXDS-210P



EXDS-210

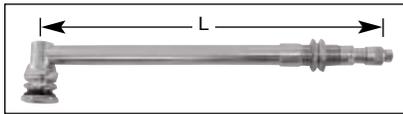


EXDS-226



EXDS-215

Super Large Bore



EXMR-850

EXMR-850 LENGTH - SWIVEL VALVE
Same as EXMR-800, but with EXT-81spud.



EXMR-800

EXMR-800 LENGTH - SWIVEL VALVE
Includes EXR-520 and (2) EXB-222 nuts.



EXMR-890

EXMR-890
Super Large Bore - Turret Type



EXR-760



EX-117-0764



EX-445



EX-990



EX-144-0290



EX-146-6779



EXR-520



EXR-763

EXR-762S

EXB-222

EXR-764R

Assembly Kits for Super Large Bore

EXR-969K-1

Consists of: (1) EXR-762S, (1) EXR-763
(2) EXR-764R, (2) EXB-222

EXR-969K

Consists of: (1) EXR-762S, (1) EXR-763
(2) EXR-764R, (2) EXB-222, (1) EXR-520

Super Large Bore



EXDS-210
Double-end spud
Fits 13/16" hole



EXDS-210P
Double-end spud
Fits 1/2" NPT thread



EXT-81
(TR-SP8) Spud
Fits 13/16" hole



EXC-100
Screw-in spud
Fits 1/2" NPT thread



Super Large Bore
Spud, Similar to EXT-81.
Features additional 9/32" height.

EXT-82



Super Large Bore
outside-in spud

EXX-381



Super Large Bore
Loader Valve

EXT-999



Straight valve assembly using
EXR-521 core housing and
EXC-200 Screw-in spud

EXM-1000



EXC-200



EXR-521

Super Large Bore



EXT-85

85° Super Large Bore angle spud for application where low clearance is required. Fits 13/16" hole.



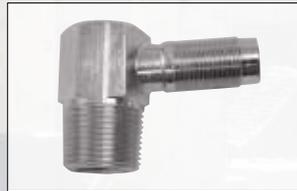
EXS-75D

75° or 85° screw-in angle spud furnished with a locking nut and teflon seal. Fits 1/2" NPT thread.



EXS-85D

85° screw-in angle spud Fits 3/4" NPT thread.



EXS-85/1



EXM-1870

Straight valve assembly using EXT-81 and EXR-520



EXM-2000

90° Swivel valve assembly 3-1/8" effective length



EXS-85

75° or 85° screw-in angle spud Fits 1/2" NPT thread



EXS-75



EXR-525

EXR-525 90°

EXR-685 85°

EXR-680 80°

EXR-675 75°

EXR-670 70°

EXR-660 60°

All swivel connectors fit on EXT-81
EXT-82, EXC-100 and EXX-381



EXR-660



EX-777BO



EX-7890



EX-1239

SPECIAL FORMED SUPER LARGE BORE VALVES

For large OFF-HIGHWAY trucks such as CATERPILLAR. Can be formed to fit most vehicles



EX-9002 (short)
EX-9004 (long)

SPECIAL FORMED SUPER LARGE BORE VALVES

For large OFF-HIGHWAY trucks such as TEREX 33-15. Available in 10" and 14" stem.

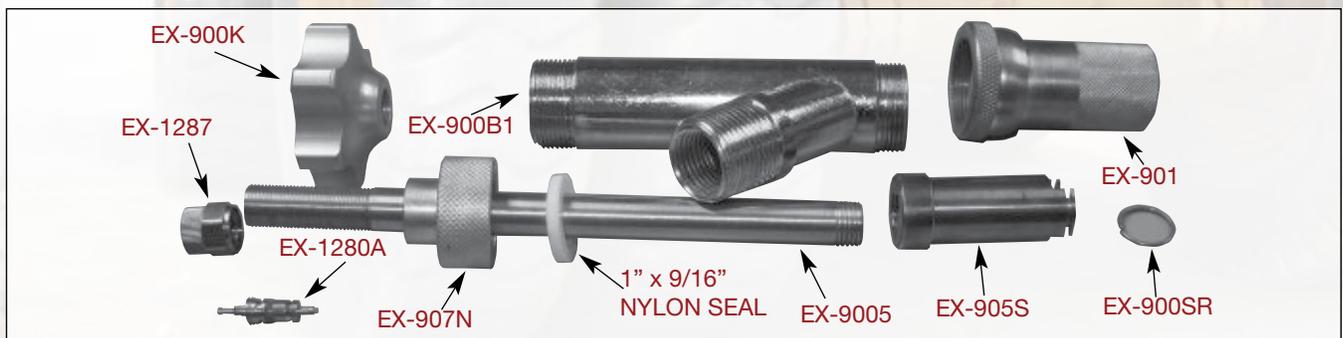


EX-900S

EX-900S

Permits faster and safer inflation/deflation of Giant Tires. Can be hooked to 1/2" NPT or 3/4" NPT.

EX-900S COMPONENTS



Large Bore

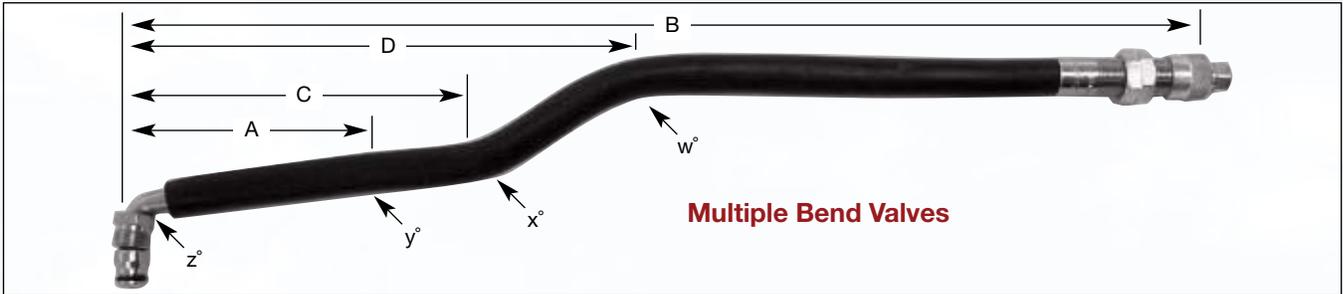


Part No.	TR No.	Bend Angle	Length		Height	
			Inch	MM	Inch	MM
EX-52-2		25°	2	50.8	1-1/16	27.0
EX-54-6		90°	6	152.4	2-3/8	60.3
EX-58-2-1/2		60°	2-1/2	62.7	2-1/8	54.0
EXJ-650	J-650	80°	3-1/8	79.4	1-5/64	27.7
EXJ-651	J-651	90°	4-11/16	119.0	1-17/64	32.1
EXJ-652	J-652	86°	5-1/2	139.7	1-5/64	27.4
EXJ-653	J-653	80°	2-1/2	62.7	1-5/64	27.4
EXJ-654	J-654	60°	3-1/8	79.4	1-5/64	27.4
EXJ-655	J-655	74°	3-1/8	79.4	1-5/64	27.4
EXJ-656	J-656	90°	3-11/16	93.7	2-5/8	66.7
EXJ-657	J-657	80°	4	101.6	1-5/64	27.4
EXJ-658	J-658	80°	5-1/2	139.7	1-5/64	27.4
EXJ-659	J-659	90°	3-1/2	88.9	1-57/64	50.4
EXJ-660	J-660	90°	8-3/4	222.3	1-57/64	50.4
EXJ-668	J-668	90°	4-11/16	119.0	5-1/8	130.2
EXJ-669	J-669	90°	2-1/2	62.7	1-5/64	27.4
EX-3101/1		80°	4-1/2	114.3	1-5/64	27.4
EX-3110/1		80°	9	228.6	1-5/64	27.4
EXJ-4002.5	J-4000-2 1/2	90°	2-1/2	62.7	1-5/64	27.4
EXJ-4003	J-4003	90°	3	75.2	1-5/64	27.4
EXJ-4004	J-4000-4	90°	4	101.6	1-5/64	27.4
EXJ-4004.5	J-4000-4 1/2	90°	4-1/2	114.3	1-5/64	27.4
EXJ-4005	J-4000-5	90°	5	127.0	1-5/64	27.4
EXJ-4006	J-4000-6	90°	6	152.4	1-5/64	27.4
EXJ-4007.5	J-4000-7 1/2	90°	7-1/2	190.5	1-5/64	27.4
EXJ-4008	J-4000-8	90°	8	203.2	1-5/64	27.4
EXJ-4009	J-4000-9	90°	9	228.6	1-5/64	27.4
EXJ-4010	J-4000-10	90°	10	254.0	1-5/64	27.4
EXJ-4010.5	J-4000-10 1/2	90°	10-1/2	266.7	1-5/64	27.4
EXJ-4011	J-4000-11	90°	11	279.4	1-5/64	27.4
EXJ-4012	J-4000-12	90°	12	304.8	1-5/64	27.4
EXJ-4013	J-4000-13	90°	13	330.2	1-5/64	27.4
EXJ-4016	J-4000-16	90°	16	406.4	1-5/64	27.4
EXJ-4024	J-4000-24	90°	24	609.6	1-5/64	27.4
EXJ-4028	J-4000-28	90°	28	711.2	1-5/64	27.4
EXJ-4029.5	J-4000-29 1/2	90°	29-1/2	749.3	1-5/64	27.4
EXJ-4030	J-4000-30	90°	30	762.0	1-5/64	27.4
EXJ-4032	J-4000-32	90°	32	812.8	1-5/64	27.4
EXJ-4036	J-4000-36	90°	36	914.4	1-5/64	27.4

Any other length can be ordered. All valves equipped with core and cap. On lengths over 6", two (2) lock nuts are furnished.

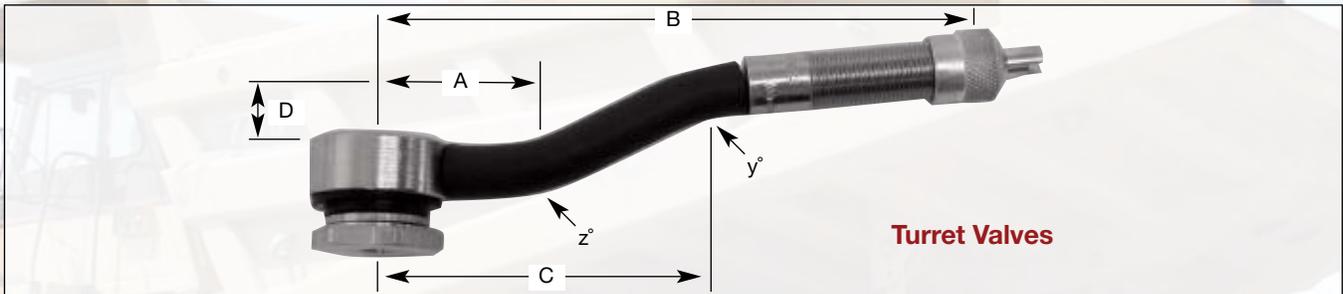
All large bore swivel valves can be used with any large rim spud shown on Page 15.





Multiple Bend Valves

Part No.	TR No.	A	B	C	D	w°	x°	y°	z°
EXJ-662	J-662		14.00	4.50	5.87	20	20		90
EXJ-663	J-663		25.00	2.00	6.00	8	8		90
EXJ-665	J-665		32.00	2.00	5.94	13	13		90
EXJ-666	J-666	3.28	20.12	4.38	6.22	31	31	6	84
EXJ-5013		3.50	14.00	4.50	6.50	30	30	5	85
EXJ-661	J-661		4.50	1.88			8		82
EXJ-664	J-664		8.750	4.00			13		90
EXJ-667	J-667		7.50	3.00			11		90

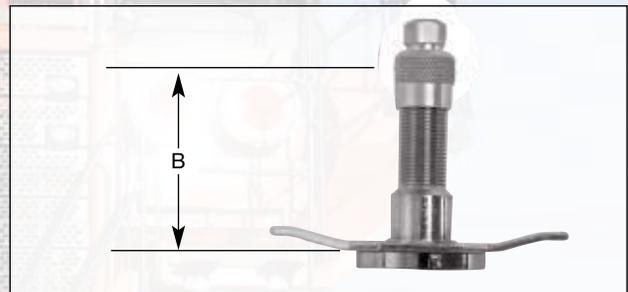
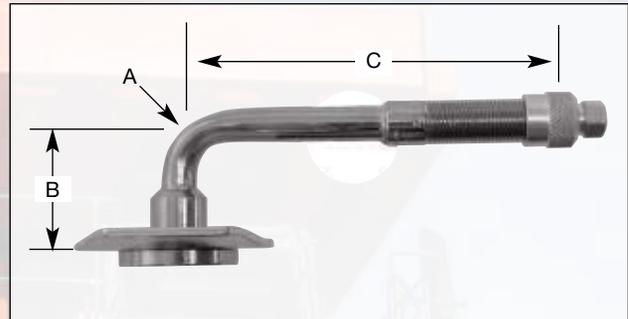


Turret Valves

Part No.	TR No.	A	B	C	D	y°	z°
EXJ-690	J-690	1.25	4.69	2.31	.56	28	28
EXJ-690B		.75	3.75	1.75	.56	28	28
EXJ-690B1		.75	3.00	1.20	.40	28	28
EXJ-690/A		.75	5.00	2.88	.625	16	16
EXJ-690/7		3.50	7.00	4.83	.56	28	28
EXJ-690/8		2.00	8.00	3.33	.56	28	28
EXJ-691	J-691	.62	3.31				18
EXJ-691-2		.650	2.65				18
EXJ-691B		.62	8.50				18
EXJ-692	J-692	1.25	4.69	2.31	.56	18	28
EXJ-693	J-693	.88	5.00	1.69	1.00	45	45
EXJ-694	J-694	.78	3.50				28
EXJ-695	J-695	.81	4.12	2.19	1.00	50	50
EXJ-696	J-696	1.06	4.25	2.06	.91	42	42
EXJ-697		3.50	5.50				25

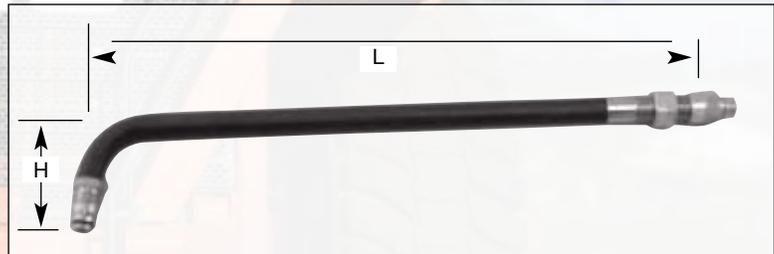
Large Bore

Part No.	TR No.	A Angle	B Height	C Length
EX-1264	J-1078A	STRAIGHT	5.780	
EX-1265	J-1078C	90°	1.125	4.825
EX-1266	J-1076E	88°	1.375	3.00
EX1267	J-1076B	86°	1.125	3.250
EX-1268	J-1076A	STRAIGHT	4.16	
EX-1269	J-1076D	90°	2.06	2.31
EX-1270	J-1014	STRAIGHT	1.91	
EX-1271	J-1076C	90°	1.50	2.825
EX-1272	J-1078B	82°	1.375	4.625
EX-1273	J-1175C	88°	1.375	4.125
EX-1274	J-1177A	STRAIGHT	4.50	
EX-1275	J-1179B	88°	1.375	5.250
EX-1276	J-1178A	STRAIGHT	5.280	
EX-1277	J-1175B	82°	1.250	4.250
EX-1278	J-1179A	STRAIGHT	6.406	



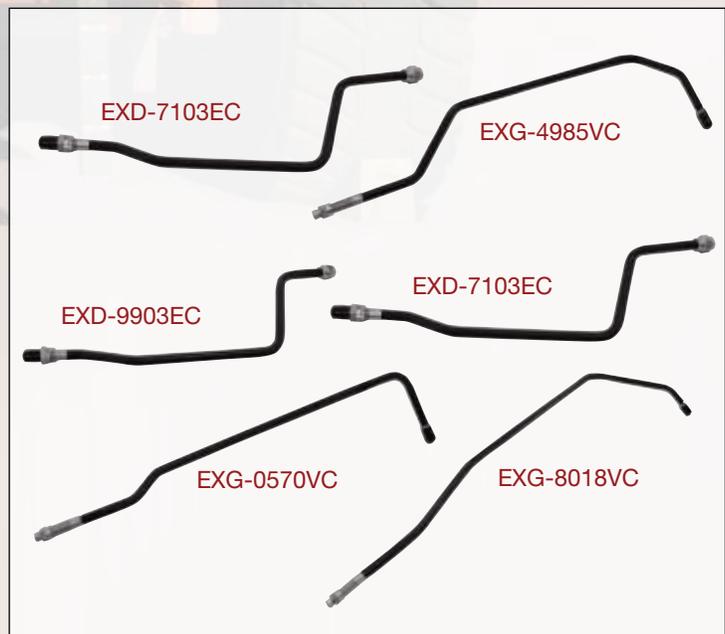
Screw-on repair valves

Part No.	Bend Angle	Length		Height	
		Inch	MM	Inch	MM
EXHB-S11	90°	11	279.4	1-29/32	48.3
EXHB-S51/2	90°	5-1/2	139.7	2-1/16	52.4



High bend valves

Part No.	Length	Bends	Description
EXD-0585EC	17-5/16	4	Extension
EXD-5008EC	17-13/16	4	Extension
EXD-7103EC	16-1/4	4	Extension
EXD-9903EC	16-7/8	4	Extension
EXG-0570VC	19-31/32	5	Valve
EXG-1450VC	32-7/8	5	Valve
EXG-4985VC	19-3/4	4	Valve
EXG-5200VC	27	5	Valve
EXG-5410VC	31-9/16	5	Valve
EXG-5420VC	33	5	Valve
EXG-8018VC	26-3/4	4	Valve
EXG-8019VC	8	1	Valve
EXG-9440VC	27	5	Valve
EXG-9470VC	31-1/2	5	Valve



Special formed valves



EXT-670
Loader Tire Valve (Complete)



EX-3150/1
Straight Valve (Complete)



EX-3150
Straight Valve with spud



EX-1302
Tubeless Spud - Fits 13/16" rim hole



EX-1305
Outside-in tubeless spud
Fits 13/16" rim hole



EXC-10
Screw-in tubeless spud
fits 1/2" NPT tapped hole



EXH-4000
Adaptor converts SP-1000 spud to
L.B. swivel valves



EXH-4000/1
Same as EX-4000 except
without bridge washer



EX-1300
Rim hole plug -
used to seal 13/16" rim hole

Large Bore



EX-1281
Screwdriver cap (TR-VC-6)
Fits .482-26 valve thread



EX-1283
Hex valve cap (TR-VC-7)
Fits .482-26 valve thread



EX-1284
Valve cap for EX-1285
Fits .302-32 valve thread



EX-1280
Long valve core (TR-C-2)
Fits all large bore valves



EX-1280A
Short valve core (TR-C-2) - Heat resistant and fits all large bore valves



EX-1287
Dome valve cap (VC-10)
Fits .482-26 valve thread



EX-1285
Adapter to convert large bore to standard bore. Fits .482-26 thread



EX-AD1
Adaptor to convert large bore to standard bore. Fits .302-32 thread

Part No.	Length	
	Inch	MM
EX-2002	2	50.80
EX-2003	3	76.2
EX-2004	4	101.6
EX-2005	5	127.0
EX-2006	6	152.4
EX-2007	7	177.8
EX-2008	8	203.2
EX-2009	9	228.6
EX-2010	10	254.0
EX-2011	11	279.4
EX-2012	12	304.8
EX-2013	13	330.2
EX-2014	14	355.6
EX-2015	15	381.0
EX-2016	16	406.4
EX-2017	17	431.8
EX-2018	18	457.2
EX-2019	19	482.6
EX-2020	20	508.0

RIGID BRASS EXTENSIONS



Any other length can be ordered. All extensions are equipped with core deflector and hex cap. On lengths over 4", 2 lock nuts are furnished.

HAND BENDABLE EXTENSIONS



Part No.	Length	
	Inch	MM
EX-3003	3	76.2
EX-3004	4	101.6
EX-3005	5	127.0
EX-3006	6	152.4
EX-3007	7	177.8
EX-3008	8	203.2
EX-3009	9	228.6
EX-3010	10	254.0
EX-3011	11	279.4
EX-3012	12	304.8
EX-3013	13	330.2
EX-3014	14	355.6
EX-3015	15	381.0
EX-3016	16	406.4
EX-3017	17	431.8
EX-3018	18	457.2
EX-3019	19	482.6
EX-3020	20	508.0

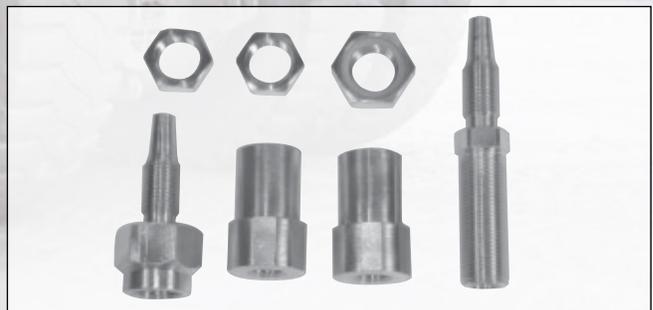
Any other length can be ordered. These extensions are equipped with 2 lock nuts, 1 sealing nut. You must use cap and core from valve on which the extension is being fitted.

FLEXIBLE EXTENSIONS



Part No.	Length	
	Inch	MM
EX-6005	5	127.0
EX-6006	6	152.4
EX-6007	7	177.8
EX-6008	8	203.2
EX-6009	9	228.6
EX-6010	10	254.0
EX-6011	11	279.4
EX-6012	12	304.8
EX-6013	13	330.2
EX-6014	14	355.6
EX-6015	15	381.0
EX-6016	16	406.4
EX-6017	17	431.8
EX-6018	18	457.2
EX-6019	19	482.6
EX-6020	20	508.0

Any other length can be ordered. These extensions are equipped with 2 lock nuts, 1 sealing nut, 1 valve cap and 1 valve core.



EX-6000K

Tractor & Grader

AIR/LIQUID EXTENSIONS

Used with tractor / grader valves



EX-670

Part No.	TR No.	A	B	Angle	Hole
EX-670	TR-618A	1 7/8			.625
EX-670R	TR-618A	1 7/8			.625
EX-672	TR-622A	1 3/4	4 1/2	90°	.625
EX-678	TR-623A	1 1/2	2 1/4	65°	.625
EX-679	TR-621A	1 1/2	3	65°	.625



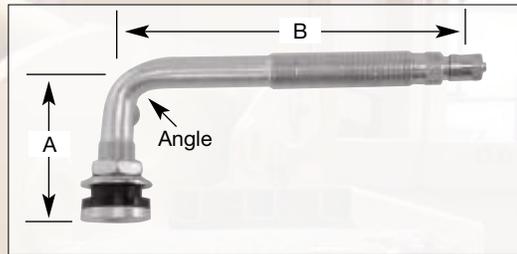
EX-678



EX-670R



EX-5905



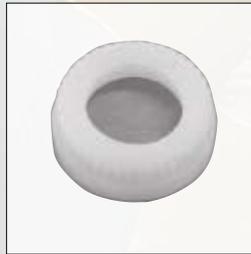
EX-672



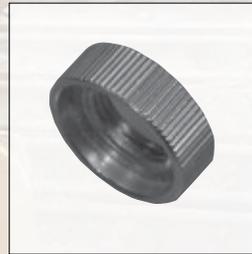
EX-679



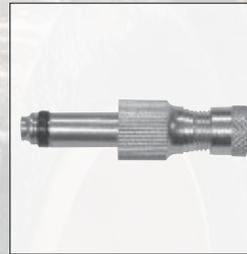
EX-670P



EX-LN10



EX-LN10B



**EX-CH1
(CH-1)**



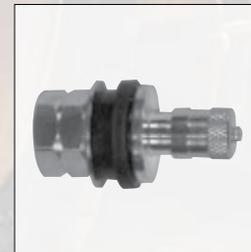
**EX-683A
(CH-3)**



**EXR-625
(CH-16)**



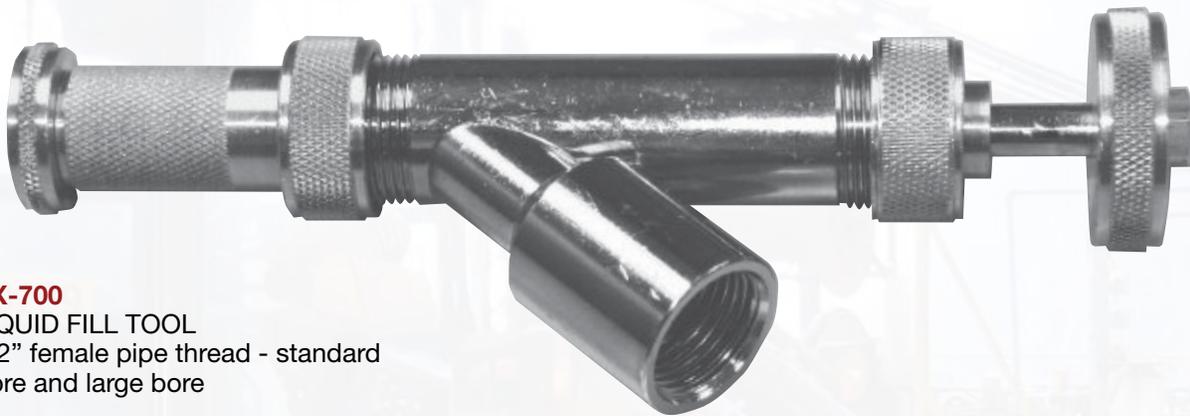
**EXR-626
(CH-16 & SP-8)**



JF-944
Available in brass or
nickle finish

AIR/LIQUID EXTENSIONS

Used with tractor / grader valves



EX-700
LIQUID FILL TOOL
1/2" female pipe thread - standard
bore and large bore



EX-700 COMPONENTS



EX-6047



TANK VALVES

	THREAD	LENGTH	BORE
EX-400	1/4 NPT	1 5/16"	Standard
EX-401	1/8 NPT	27/32"	Standard
EX-402	1/8 NPT	1 5/16"	Standard
EX-6047	1/4 NPT	1 19/32"	Large Bore

Truck & Bus

Truck and Bus Valves

Part No.	Part No.	TR#	Length	Valve Hole
	EX-1223R		2" bent at 92°	.625
	EX-1296	575	1-1/8"	.625
	EX-1296A	501	1-1/2"	.625
	EX-1296B	500	2"	.625
EX-1298C	EX-1296C	570	3-1/8"	.625
EX-1298D	EX-1296D	571	3-3/8"	.625
EX-1298E	EX-1296E	572	3-3/4"	.625
EX-1298F	EX-1296F	573	4-3/8"	.625
	EX-1296G	574	5"	.625EX
	EX-1296H	501 oval	1 1/8"	.625 oval



“O” ring seal valves for Alcoa type wheels
- .389” valve hole.

Part No.	TR#	Bend	“A”	“B”
EX-542	542	STR	1.25	
EX-543	543	STR	2.40	
EX-543C	543C	45°	0.93	1.43
EX-543D	543D	60°	0.98	1.38
EX-544D	544D	60°	0.98	1.94
EX-545B	545B	26°	1.38	2.20
EX-545D	545D	60°	0.98	2.60
EX-546D	546D	60°	0.98	3.35
EX-547D	547D	60°	0.98	3.78



EX-1299 SERIES

Part No.	ETRTO	Bend	“A”	“B”	Finish
EX-1299A	V3-20-1	STR	1-3/16		Chrome
EX-1299B	V3-20-6	27°	1-3/16	3-3/8	Chrome
EX-1299E	V3-20-4	27°	1-3/16	2-3/8	Chrome



EINKE VALVE

Part No.	ETRTO	Bend	Effective Length	Valve Hole
EX-1296Z	WH23A	STR	3/4"	.453
EX-1296Z1	WH206	STR	1-1/4"	.453
EX-1296Z2		45°		.453



Part No.	TR#	Length
EX-513	513	2-5/8"
EX-515	515	3-1/4"



Extra low height, double bend clamp-in
truck tubeless valves.

Part No.	TR#	Length
EX-509	509	4-3/4"
EX-510	510	5-1/4"
EX-511	511	4-1/4"

Truck valves for Alcoa aluminum truck wheels



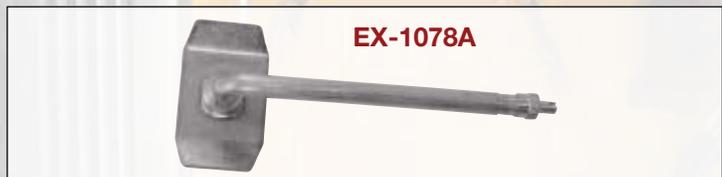
Part No.	TR#	Length	Grommet
EX-416	416	1-1/4"	.625 & .453
EX-416L	416	2"	.625 & .453
EX-416S1	416	3/4"	.625 & .453

Small clamp-in valves



SCREW-ON REPAIR VALVES

Part No.	TR#	Length
EX-1177A	1177A	3-1/4"
EX-1077A	EX-1077A	4-1/8"
EX-1175A	1175A	4-1/2"
EX-1078A	1078A	5"
EX-1179A	1179A	5-1/8"



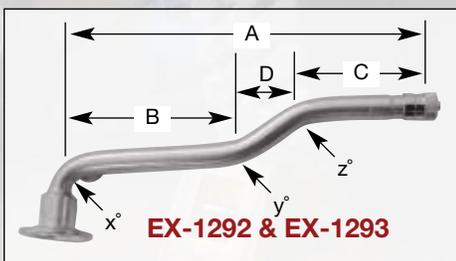
STRAIGHT METAL EXTENSIONS

Short Collar	Long Collar	Effective Length
EX-1500	EX-1500L	2"
EX-1501	EX-1501L	3"
EX-1502	EX-1502L	5"
EX-1503	EX-1503L	3-5/8"
EX-1504	EX-1504L	4"
EX-1505	EX-1505L	1-1/4"
EX-1506	EX-1506L	6"



FLEXIBLE EXTENSIONS

Part No.	Length
EX-1407	7-1/2"
EX-1410	10"



MICHELIN TYPE SCREW-ON VALVES

Part No.	A	B	C	D	x°	y°	z°	Bends
EX-1292A	2.50				86°			1
EX-1292B	3.00				86°			1
EX-1292C	4.00				86°			1
EX-1292D	4.50				86°			1
EX-1292E	5.00				86°			1
EX-1292G	6.00				86°			1
EX-1292T	3.00	1.10	1.90		86°	16°		2
EX-1292N	3.75	1.90	1.85		86°	16°		2
EX-1292P	4.00	2.25	1.75		86°	16°		2
EX-1292Q	4.50	2.70	1.80		86°	16°		2
EX-1292R	5.00	3.15	1.85		86°	16°		2
EX-1292S	5.50	3.35	2.15		86°	16°		2
EX-1293Q	3.70	1.60	1.60	.50	86°	16°	26°	3
EX-1293L	4.00	1.90	1.60	.50	86°	16°	26°	3
EX-1293M	4.50	2.40	1.60	.50	86°	16°	26°	3
EX-1293N	5.00	2.50	2.00	.50	86°	16°	26°	3
EX-1293R	5.50	3.00	2.00	.50	86°	16°	26°	3

Passenger



EX-1363
Metal cap for standard valve.
Screwdriver type



EX-1365
Metal cap for standard valve.
Dome type



EX-1375
Plastic cap for standard valve.
Dome type



EX-1360
Chromed hex cap



EX-1312
Heavy-duty heat resistant cap

METAL EXTENSION CAPS



EX-1511



EX-1385



EX-1320
Standard valve core.
Short.



EX-1320S
Heat resistant

Part No.	Total Length	Effective Length
EX-1510	7/8"	5/8"
EX-1511	1-1/16"	3/4"
EX-1512	1-9/16"	1-1/4"

Dual Seal Cap

Part No.	Total Length	Effective Length
EX-1385	7/8"	5/8"

SNAP IN VALVES

Part No.	TR#	Length	Hole	Max. Inflation
EX-412	412	15/16"	.453	65 psi
EX-413	413	1-1/4"	.453	65 psi
EX-414	414	1-1/2"	.452	65 psi
EX-415	415	1-1/4"	.625	65 psi
EX-418	418	2"	.453	65 psi
EX-423	423	2-1/2"	.453	65 psi
EX-425	425	2"	.625	65 psi
EX-600HP	600HP	1-1/4"	.453	80 psi
EX-602HP	602HP	2"	.453	80 psi
EX-801HP	801HP	1-1/4"	.625	100 psi
EX-802HP	802HP	2"	.625	810 psi





EX-1005
Passenger tire gauge
10-50 PSI



EX-1015
Passenger tire gauge
20-120 PSI



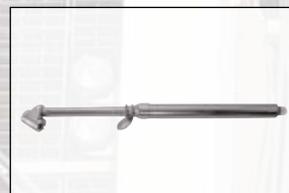
EX-1025
Air/liquid gauge/ tractor
5-45 PSI



EX-1030
Truck tire gauge
(pocket type)
20-120 PSI



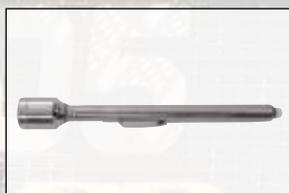
EX-1031
Truck tire gauge
(pocket type)
20-120 PSI



EX-1035P | EX-1035M
Dual-foot truck gauge
Delin or Metal indicator
20-150 PSI



EX-1036P | EX-1036M
Dual-foot truck gauge
Delin or Metal indicator
20-150 PSI



EX-1250
Large bore gauge
(Pocket type)
20-120 PSI



EX-1255P | EX-1255M
Large bore swivel gauge
Delin or Metal indicator
20-150 PSI

Gauges



EX-1220
Standard & Large Bore
0 /200 Psi
Recalibratable



EX-1220PH
Same as EX-1220 With
Plastic Handle



EX-1230
Standard & Large Bore
0 /160 Psi
Release Valve



EX-1230PH
Same as EX-1230 But
with Plastic Handle



EX-1315
Same as EX-1230 But
for Standard Bore Only



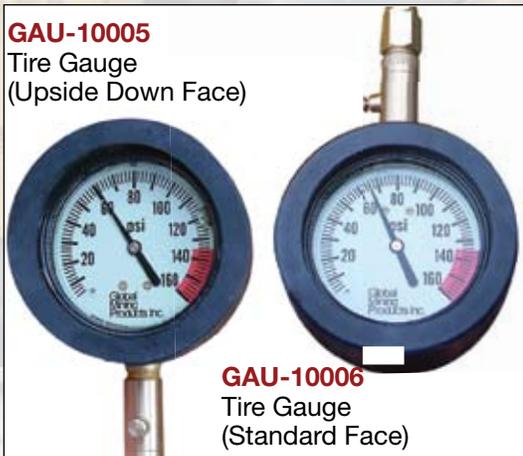
EX-1235
Standard & Large Bore
0 /300 Psi
Holds Pressure Reading



EX-1235PH
Same as EX-1235 But
with Plastic Handle



EX-1236
Same as EX-1235 But
For Standard Bore Only



GAU-10005
Tire Gauge
(Upside Down Face)

GAU-10006
Tire Gauge
(Standard Face)

- Easy to Read Glow in Dark Face
- 0-160 PSI - Red Line at 135 PSI
- Kem-X Rubber boot eliminates contaminants clogging and accuracy issues.
- Push Button Air Release
- Pressure Stop Release
- Foam Lined Tool Case



GAU-10000
Master Gauge



GAU-10003
Tool Gauge



GAU-10016
PT Gauge

Specifically designed and developed as a simple, reliable and fast reading Tire Pressure/ Temperature Tool.

The PT Gauge consists of a temperature gauge constructed of a special material which minimizes temperature transfer for an accurate tire temperature reading and an accurate tire gauge protected by a rubber boot which eliminates contaminants, clogging and accuracy issues.



EX-1200K
Tire Technician Tool Kit



EX-1016
Special large bore valve core tool. Sliding sleeve allows position grip of the core for ease of handling. 5-1/2" long



EX-1018
Same as EX-1018L only 6-1/2" long.



EX-1021
Core Extractor



EX-1018L
Large bore HEX cap tool with plastic handle for positive grip. Length 10"



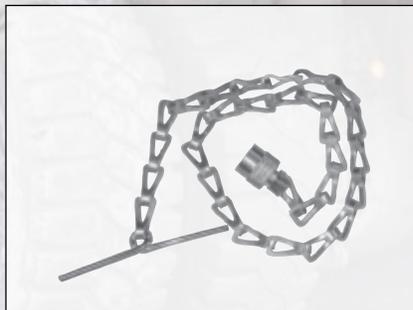
EX-1019
Large bore core tool. Has plastic handle for positive grip. 5-1/2" long.



EX-1017
Same as EX-1016 but is of heavy duty construction and is 10" long.



EX-610 (9") & EX-610L (24")



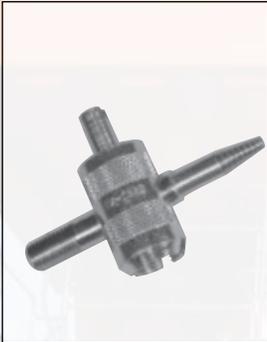
EX-609LB



EX-609 (10")

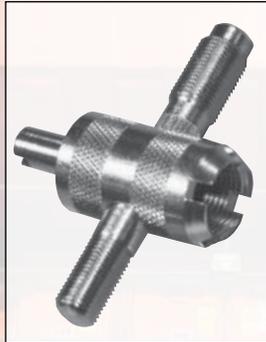
Valve fishing tool Guides, aligns and holds valve through valve hole while mounting tire. For standard bore valves.

Tools



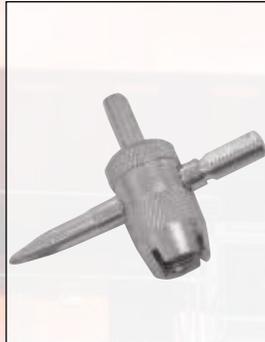
EX-1522

Large bore valve tool.
Repairs damaged threads and removes damaged cores.



EX-1525

Large bore and air water valve tool.



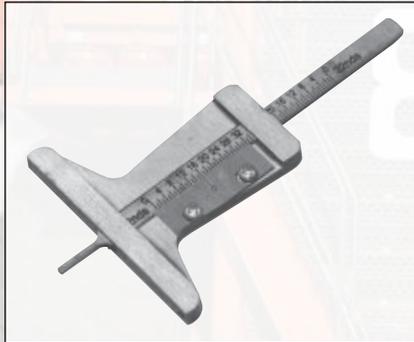
EX-1520S

Four-way standard bore valve tool.



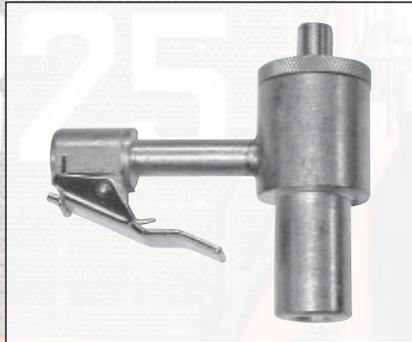
EX-1616

Standard bore valve core tool



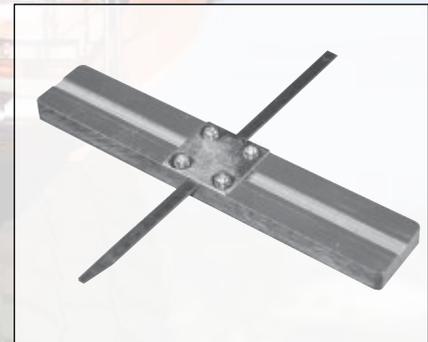
EX-1420

Truck tread depth gauge
(32NDS" & MM)



EXLT-03

Tube deflator



EX-355

O.T.R. Tread depth gauge



EX-685

Combination large bore and standard bore valve core removing tool.



EX-910

OTR Tread Depth Gauge
Features magnified readings.
Made of sturdy aluminum and stainless steel. Supplied in leatherette case.



EX-595

Tire tread depth gauge. Calibrated
0-1" in 1/32" units



EX-920
H.D. DUAL INFLATOR with EX-4660A
& EX-1586C clip on chucks



EX-920/1-3
DUAL INFLATOR
3' Hoses



EX-922
H.D. SINGLE INFLATOR
with EX-1586 FT chuck



EX-921
H.D SINGLE INFLATOR
with EX-4660A chucks



EX-54-920
SINGLE INFLATOR
90 PSI - 16" Hose



EX-923
INFLATOR GAUGE
with EX-4660A chuck Calibrated
10 - 50 PSI in 2 lb increment



EX-924
INFLATOR GAUGE
with EX-1586FT chuck Calibrated
10 - 150 PSI in 2 lb increments



EX-926
H.D INFLATOR GAUGE
with ball valve and EX-4660A chuck

Supplied with 5' hose rated at 300 PSI. Also available in various lengths

Chucks



EX-5567



EX-5565

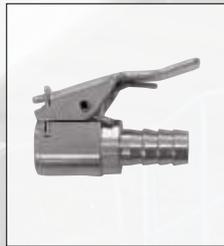


EX-5566



EX-565

Screw-on chuck has .482-26 internal thread and 1/2" NPT external thread.



EX-1587



EX-1587LB



EX-1586C



EX-666

Euro Style Chucks

- EX-1586C Closed - 1/4" NPT
- EX-1586FT Open - 1/4" NPT
- EX-1587C Closed - 1/4" Barb
- EX-1587FT1 Open - 1/4" Barb
- EX-1587FT2 Open - 3/16" Barb
- EX-1587LC Closed Large Bore 1/4" Barb



EX-1586FT



**EX-366
EX-666 & EX-366**
Lock-on air chucks



EX-6569LO



EX-6566

EX-6569LO (Lock On)

Dual-foot air chuck 6" long for hard to reach dual-wheel truck and bus tires.



EX-4660A



EX-5560

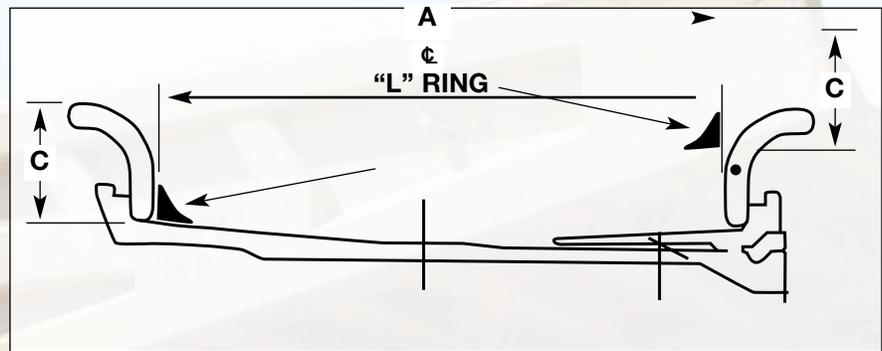
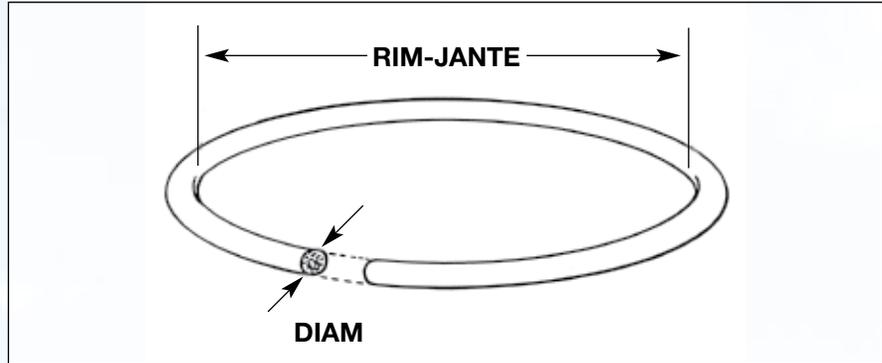
EX-4660A (large bore) & EX-5560 (Standard Bore)

Clip-on chuck securely locks when sleeve is pushed forward.

O-Rings, L-Rings and Grommets

Part No.	RIM	DIAM.
OR-217	17"	1/4"
OR-219	19"	1/4"
OR-220TG	20"	1/4"
OR-221	21"	1/4"
OR-224TG	24"	1/4"
OR-225TG	25"	1/4"
OR-319T	19"	3/8"
OR-320T	20"	3/8"
OR-321T	21"	3/8"
OR-324T	24"	3/8"
OR-325T	25"	3/8"
OR-329T	29"	3/8"
OR-333T	33"	3/8"
OR-335T	35"	3/8"
OR-339T	39"	3/8"
OR-343T	43"	3/8"
OR-345T	45"	3/8"
OR-349T	49"	3/8"
OR-351T	51"	3/8"
OR-357T	57"	3/8"
OR-445T	45"	1/2"
OR-449T	49"	1/2"
OR-451T	51"	1/2"
OR-457T	57"	1/2"
OR-463T	63"	1/2"

Especially compounded for sealing tire beads of graders, earthmovers, off-the-road and transportation equipment. All "O" rings are individually marked and easy to read.



The L-RING seal is designed to ensure an improved air seal where the tire bead meets the Rim and flange. They are of particular benefit to the radial tires.

Part No.	Description
LR-25	25" L-RING SEAL
LR-29	29" L-RING SEAL
LR-33	33" L-RING SEAL
LR-35	35" L-RING SEAL
LR-39	39" L-RING SEAL
LR-45	45" L-RING SEAL
LR-49	49" L-RING SEAL
LR-51	51" L-RING SEAL
LR-57	57" L-RING SEAL
LR-63	63" L-RING SEAL



Part No.	RIM	APPLICATION
M-272	RG-7	EX-670, 670P, 672, 678, 679
EX-1270G	RG-15	All EX-1296 Series
M-236	RG-16	EXJ-690 Series, EX-9002, 9004
M-165	RG-22	EX-1300, 1302, EXT-81, 82, EXDS-210
EXRG-46	RG-46	EX-509, 510, 511
EXRG-48	RG-48	EX-513, 515
EXRG-60	RG-60	All EX-540 Series
EX-1350G		EX-1305 & EXX-381
EX-570GV		Viton Grommet - EX-1296 Series
EX-126		SLB Swivel Connectors
EX-127		EXR-520 - EXR-521
111-BUNA-70		SXL-1050
118-BUNA-70		SXL Swivel Connectors
116V		Viton "O" RINGS - EX-1298 Series

Index

111-BUNA-70.....page 31	EX-1230PH.....page 26	EX-1283.....page 18
116V.....page 31	EX-1235.....page 26	EX-1284.....page 18
118-BUNA-70.....page 31	EX-1235PH.....page 26	EX-1285.....page 18
EX-1005.....page 25	EX-1236.....page 26	EX-1287.....page 5, 7, 13, 18
EX-1010L.....page 27	EX-1239..... page 13	EX-1292A.....page 22
EX-1015.....page 25	EX-1250.....page 25	EX-1292B.....page 22
EX-1016.....page 27	EX-1255M.....page 25	EX-1292C.....page 22
EX-1017.....page 27	EX-1255P.....page 25	EX-1292D.....page 22
EX-1018.....page 27	EX-126.....page 31	EX-1292E.....page 22
EX-1019.....page 27	EX-1264.....page 16	EX-1292G.....page 22
EX-1021.....page 27	EX-1265.....page 16	EX-1292N.....page 22
EX-1025.....page 25	EX-1266.....page 16	EX-1292P.....page 22
EX-1030.....page 25	EX1267.....page 16	EX-1292Q.....page 22
EX-1031.....page 25	EX-1268.....page 16	EX-1292R.....page 22
EX-1035M.....page 25	EX-1269.....page 16	EX-1292S.....page 22
EX-1035P.....page 25	EX-127..... page 9, 31	EX-1292T.....page 22
EX-1036M.....page 25	EX-1270.....page 16	EX-1293L.....page 22
EX-1036P.....page 25	EX-1270G.....page 31	EX-1293M.....page 22
EX-1077A.....page 22	EX-1271.....page 16	EX-1293N.....page 22
EX-1078A.....page 22	EX-1272.....page 16	EX-1293Q.....page 22
EX-117-0764 page 10	EX-1273.....page 16	EX-1293R.....page 22
EX-1175A.....page 22	EX-1274.....page 16	EX-1296.....page 22
EX-1177A.....page 22	EX-1275.....page 16	EX-1296A.....page 22
EX-1179A.....page 22	EX-1276.....page 16	EX-1296B.....page 22
EX-1200K.....page 27	EX-1277.....page 16	EX-1296C.....page 22
EX-1220.....page 26	EX-1278.....page 16	EX-1296D.....page 22
EX-1220PH.....page 26	EX-1280.....page 18	EX-1296E.....page 22
EX-1223R.....page 22	EX-1280A.....page 5, 7, 13, 18	EX-1296F.....page 22
EX-1230.....page 26	EX-1281.....page 18	EX-1296G.....page 22

EX-1296H.....page 22	EX-1504.....page 22	EX-2017.....page 19
EX-1296Z.....page 22	EX-1505.....page 22	EX-2018.....page 19
EX-1296Z1.....page 22	EX-1506.....page 22	EX-2019.....page 19
EX-1296Z2.....page 22	EX-1510.....page 24	EX-2020.....page 19
EX-1299A.....page 22	EX-1511.....page 24	EX-3003.....page 19
EX-1299B.....page 22	EX-1512.....page 24	EX-3004.....page 19
EX-1299E.....page 22	EX-1520S.....page 28	EX-3005.....page 19
EX-1300.....page 17	EX-1522.....page 28	EX-3006.....page 19
EX-1302.....page 17	EX-1525.....page 28	EX-3007.....page 19
EX-1305.....page 17	EX-1586.....page 30	EX-3008.....page 19
EX-1312.....page 24	EX-1586C.....page 30	EX-3009.....page 19
EX-1315.....page 26	EX-1587.....page 30	EX-3010.....page 19
EX-1320.....page 24	EX-1587LB.....page 30	EX-3011.....page 19
EX-1320S.....page 24	EX-1616.....page 28	EX-3012.....page 19
EX-1350G.....page 31	EX-2002.....page 19	EX-3013.....page 19
EX-1360.....page 24	EX-2003.....page 19	EX-3014.....page 19
EX-1363.....page 24	EX-2004.....page 19	EX-3015.....page 19
EX-1365.....page 24	EX-2005.....page 19	EX-3016.....page 19
EX-1375.....page 24	EX-2006.....page 19	EX-3017.....page 19
EX-1385.....page 24	EX-2007.....page 19	EX-3018.....page 19
EX-1407.....page 22	EX-2008.....page 19	EX-3019.....page 19
EX-1410.....page 22	EX-2009.....page 19	EX-3020.....page 19
EX-1420.....page 28	EX-2010.....page 19	EX-3101/1.....page 14
EX-144-0290 page 10	EX-2011.....page 19	EX-3150/1.....page 17
EX-146-6779 page 10	EX-2012.....page 19	EX-3150.....page 17
EX-1500.....page 22	EX-2013.....page 19	EX-355.....page 28
EX-1501.....page 22	EX-2014.....page 19	EX-366.....page 30
EX-1502.....page 22	EX-2015.....page 19	EX-400.....page 21
EX-1503.....page 22	EX-2016.....page 19	EX-401.....page 21

Index

EX-402.....page 21	EX-54-920.....page 29	EX-609(10").....page 27
EX-412.....page 24	EX-5560.....page 30	EX-609LB.....page 27
EX-413.....page 24	EX-5565.....page 30	EX-610(9")page 27
EX-414.....page 24	EX-5566.....page 30	EX-610L(24")page 27
EX-415.....page 24	EX-5567.....page 30	EX-6566.....page 30
EX-416.....page 22	EX-565.....page 30	EX-6569LO.....page 30
EX-416L.....page 22	EX-570GV.....page 31	EX-666.....page 30
EX-416S1.....page 22	EX-58-2-1/2.....page 14	EX-670.....page 20
EX-418.....page 24	EX-5905.....page 20	EX-670P.....page 20
EX-423.....page 24	EX-595.....page 28	EX-670R.....page 20
EX-425.....page 24	EX-6005.....page 19	EX-672.....page 20
EX-445..... page 10	EX-6006.....page 19	EX-678.....page 20
EX-4660A.....page 30	EX-6007.....page 19	EX-679.....page 20
EX-509.....page 23	EX-6008.....page 19	EX-683A.....page 20
EX-510.....page 22	EX-6009.....page 19	EX-685.....page 28
EX-511.....page 22	EX-600HP.....page 24	EX-700.....page 21
EX-513.....page 22	EX-6010.....page 19	EX-700B1.....page 21
EX-515.....page 22	EX-6011.....page 19	EX-700BW.....page 21
EX-52-2.....page 14	EX-6012.....page 19	EX-700C.....page 21
EX-542.....page 22	EX-6013.....page 19	EX-700D.....page 21
EX-543.....page 22	EX-6014.....page 19	EX-700DN.....page 21
EX-543C.....page 22	EX-6015.....page 19	EX-700G.....page 21
EX-543D.....page 22	EX-6016.....page 19	EX-700K.....page 21
EX-544D.....page 22	EX-6017.....page 19	EX-700M.....page 21
EX-545B.....page 22	EX-6018.....page 19	EX-700S1.....page 21
EX-545D.....page 22	EX-6019.....page 19	EX-700SN1.....page 21
EX-54-6.....page 14	EX-6020.....page 19	EX-700TW.....page 21
EX-546D.....page 22	EX-602HP.....page 24	EX-700Y.....page 21
EX-547D.....page 22	EX-6047.....page 21	EX-777BO..... page 13

EX-7890.....	page 13	EXD-0585EC.....	page 16	EXJ-4007.5.....	page 14
EX-801HP.....	page 24	EXD5008EC.....	page 16	EXJ-4008.....	page 14
EX-802HP.....	page 24	EXD-7103EC.....	page 16	EXJ-4009.....	page 14
EX-9002.....	page 13	EXD-9903EC.....	page 16	EXJ-4010.5.....	page 14
EX-9004.....	page 13	EXDS-210.....	page 9, 11	EXJ-4010.....	page 14
EX-9005.....	page 13	EXDS-210P.....	page 9, 11	EXJ-4011.....	page 14
EX-900B1.....	page 13	EXDS-215.....	page 9	EXJ-4012.....	page 14
EX-900K.....	page 5, 7, 13	EXDS-226.....	page 9	EXJ-4013.....	page 14
EX-901.....	page 7, 13	EXDS-296.....	page 9	EXJ-4016.....	page 14
EX-900S.....	page 13	EXG-0570VC.....	page 16	EXJ-4024.....	page 14
EX-900S1.....	page 5, 7	EXG-1450VC.....	page 16	EXJ-4028.....	page 14
EX-900SR.....	page 5,7, 13	EXG-4985VC.....	page 16	EXJ-4029.5.....	page 14
EX-905S.....	page 5, 7, 13	EXG-5200VC.....	page 16	EXJ-4030.....	page 14
EX-907N.....	page 5, 7, 13	EXG-5410VC.....	page 16	EXJ-4032.....	page 14
EX-910.....	page 28	EXG-5420VC.....	page 16	EXJ-4036.....	page 14
EX-920/1-3.....	page 29	EXG-8018VC.....	page 16	EXJ-5013.....	page 15
EX-920.....	page 29	EXG-8019VC.....	page 16	EXJ-650.....	page 14
EX-921.....	page 29	EXG-9440VC.....	page 16	EXJ-651.....	page 14
EX-923.....	page 29	EXG-9470VC.....	page 16	EXJ-652.....	page 14
EX-924.....	page 29	EXH-4000/1.....	page 17	EXJ-653.....	page 14
EX-926.....	page 29	EXH-4000.....	page 17	EXJ-654.....	page 14
EX-990	page 10	EXHB-S11.....	page 16	EXJ-655.....	page 14
EX-AD1.....	page 18	EXHB-S51/2.....	page 16	EXJ-656.....	page 14
EXB-222.....	page 9, 10	EXJ-4002.5.....	page 14	EXJ-657.....	page 14
EXC-10.....	page 17	EXJ-4003.....	page 14	EXJ-658.....	page 14
EXC-100	page 11, 12	EXJ-4004.5.....	page 14	EXJ-659.....	page 14
EXC-1305.....	page 17	EXJ-4004.....	page 14	EXJ-660.....	page 14
EXC-200	page 11	EXJ-4005.....	page 14	EXJ-661.....	page 15
EX-CH1.....	page 20	EXJ-4006.....	page 14	EXJ-662.....	page 15

Index

EXJ-663.....page 15	EXM-2000 page 12	EXS-85D/1 page 12
EXJ-664.....page 15	EXM-4000..... page 9	EXT-670.....page 17
EXJ-665.....page 15	EXMR-800..... page 10	EXT-81..... page 9, 11, 12
EXJ-666.....page 15	EXMR-850..... page 10	EXT-82 page 11, 12
EXJ-667.....page 15	EXMR-890..... page 10	EXT-85 page 12
EXJ-668.....page 14	EXR-3000..... page 9	EXT-999 page 11
EXJ-669.....page 14	EXR-520..... page 9, 10	EXX-381 page 11, 12
EXJ-690/7.....page 15	EXR-521 page 11	GAU-10000.....page 26
EXJ-690/8.....page 15	EXR-525..... page 9, 12	GAU-10003.....page 26
EXJ-690/A.....page 15	EXR-625.....page 20	GAU-10005.....page 26
EXJ-690.....page 15	EXR-626.....page 20	GAU-10006.....page 26
EXJ-690B.....page 15	EXR-660 page 12	GAU-10016.....page 26
EXJ-690B1.....page 15	EXR-670 page 12	JF-944.....page 20
EXJ-691.....page 15	EXR-675 page 12	LR-25.....page 31
EXJ-691-2.....page 15	EXR-680 page 12	LR-29.....page 31
EXJ-691B.....page 15	EXR-685 page 12	LR-33.....page 31
EXJ-692.....page 15	EXR-760..... page 9, 10	LR-35.....page 31
EXJ-693.....page 15	EXR-762S..... page 9, 10	LR-39.....page 31
EXJ-694.....page 15	EXR-763..... page 9, 10	LR-45.....page 31
EXJ-695.....page 15	EXR-764R..... page 9, 10	LR-49.....page 31
EXJ-696.....page 15	EXR-969K..... page 10	LR-51.....page 31
EXJ-697.....page 15	EXR-969K-1..... page 10	LR-57.....page 31
EX-LN10.....page 20	EXRG-46.....page 31	LR-63.....page 31
EX-LN10B.....page 20	EXRG-48.....page 31	M-165.....page 31
EXLT-03.....page 28	EXRG-60.....page 31	M-236.....page 31
EXM-1000..... page 11	EXS-75 page 12	M-272.....page 31
EXM-1870 page 12	EXS-85 page 12	OR-217.....page 31
EXM-1900..... page 9	EXS-75D page 12	OR-219.....page 31
EXM-1950..... page 9	EXS-85D page 12	OR-220TG.....page 31

OR-221.....page 31	SGB-140.....page 3	SXL-1050.....page 6
OR-224TG.....page 31	SGB-141.....page 3	SXL-1075.....page 7
OR-225TG.....page 31	SGB-145.....page 3	SXL-1290.....page 7
OR-319T.....page 31	SGB-150.....page 4	SXL-1400K/1.....page 6
OR-320T.....page 31	SGB-155.....page 4	SXL-1400K....page 6
OR-321T.....page 31	SGB-160/1.....page 4	SXL-1500.....page 7
OR-324T.....page 31	SGB-160.....page 4	SXL-1600.....page 6
OR-325T.....page 31	SGB-165.....page 5	SXL-1650.....page 6
OR-329T.....page 31	SGB-175.....page 4	SXL-1700.....page 7
OR-333T.....page 31	SGB-185.....page 4	SXL-1789.....page 6, 8
OR-335T.....page 31	SGB-190.....page 4	SXL-1800.....page 6
OR-339T.....page 31	SGB-900S.....page 5,	SXL-1900.....page 7
OR-343T.....page 31	SGB-950.....page 5	SXL-2000.....page 6
OR-345T.....page 31	SXL-1000.....page 6	SXL-900S.....page 7
OR-349T.....page 31	SXL-1005.....page 6, 8	SXL-901.....page 5, 7
OR-351T.....page 31	SXL-1006.....page 6, 8	SXL-930E.....page 6, 8
OR-445T.....page 31	SXL-1007.....page 6, 8	SXL-930E3.....page 6, 8
OR-449T.....page 31	SXL-1008.....page 6	
OR-451T.....page 31	SXL-1008L.....page 6	
OR-457T.....page 31	SXL-1009.....page 6, 9	
OR-463T.....page 31	SXL-1010.....page 7	
SGB-100.....page 4	SXL-1012.....page 7	
SGB-110.....page 4	SXL-1013.....page 7	
SGB-115.....page 3	SXL-1014.....page 7	
SGB-120.....page 3	SXL-1015.....page 7	
SGB-125.....page 4	SXL-1018.....page 6, 8	
SGB-130.....page 3	SXL-1020.....page 6	
SGB-131.....page 3	SXL-1030.....page 6	
SGB-135.....page 3	SXL-1040.....page 6	