



Field Calibration System for the E-RAD 2000 and E-RAD 3000
Specifically designed and developed for the Wind Industry!

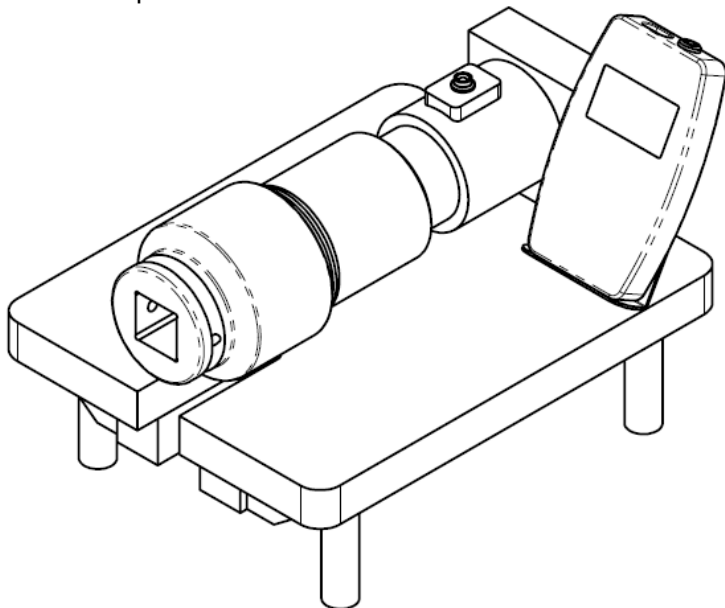


www.globalminingproducts.com

Field Calibration System

Global Mining Products Inc. is now offering a Field Calibration System for the E-RAD 2000 and 3000. This unit has been developed for the Wind Industry and allows the standard E-RAD 3000 reaction arm to be used in the system and a custom E-RAD 2000 reaction arm can be ordered. With this system, there will be no need to switch the reaction arms on the tools for calibration and this will decrease the time needed for calibration of the tool.

The Field Calibration System provides a torque range of 250-3000 lb/ft and allows for calibration of the E-RAD 2000 for the blade bolt application along with E-RAD 3000 for the flange bolts. This system will be provided with the below components.



CAL-15185	Field Calibration System	
CAL-15176	Field Calibration Plate Assembly	1
CAL-12067	AWS 3000 Transducer Assembly	1
CAL-11748	Run Down Fixture Assembly	1
RPT-11016	Socket 3" (1" Square Drive)	1



Aug 11, 2008

Global Mining Products Inc

P: 877-576-2855 | F: 877-576-2854 | E: sales@globalminingproducts.com