



Global Mining Products



RAD Battery Series (B-RAD) torque wrenches offer unmatched power, versatility, and reliability. Incorporating precision engineered gear boxes, their lightweight design makes these tools ideal for any application, especially where compressed air or electricity are not readily available. The B-RAD Series are available in single speed and high speed models.

Quick Grip to Adjust Torque Setting

Easy View Torque Settings

Precision Adjustable Posi-Clutch for Accurate Torque Output

Ergonomic Pistol Grip Handle

Soft Start Trigger for Safety

Convenient Forward/Reverse Switch

Quick Release Fastener for Rapid Gear Box or Motor Change



B-RAD 500-2 Battery Powered Torque Tool

No Power? No Problem! The B-RAD-500 battery powered torque wrenches are ideal for any application, especially where compressed air or electricity are not available.

**Just imagine the freedom...
No Air Lines! No Power Cords! No Hassles!**

B-RAD 500-2 Battery Series Torque Tool

Part No.	Drive Size	Torque (Low- High)	RPM	Weight (lbs)	Noise Level
RAD-20092	0.75"	200 - 500 ft/lbs	28.9	10.4	80 db



All B-RAD 500-2 Torque Tools come fully calibrated complete with:

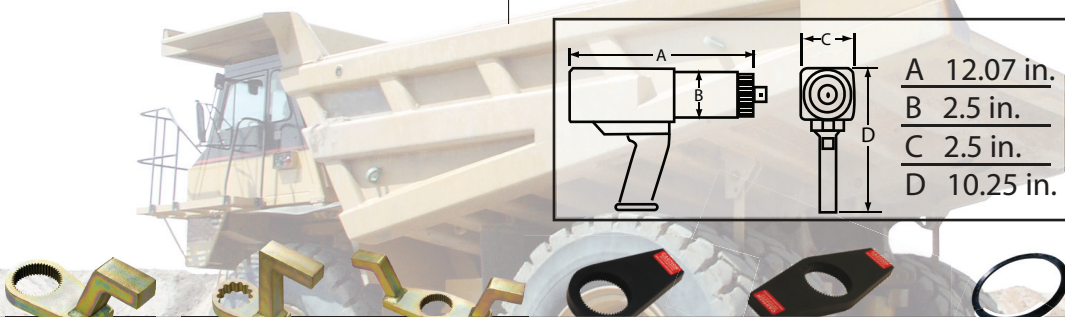
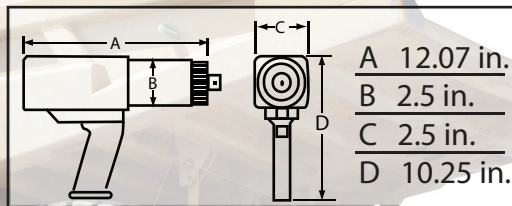
- B-RAD 500-2 Torque Tool
- Operators Manual
- Calibration Chart
- Reaction Arm and Retention Ring
- Weatherproof Storage Case
- Battery Charger p/n: RAD-16091
- (2)18 Volt Lithium Ion Batteries p/n: RAD-18795

To ensure the highest quality of measurement and accuracy, each RAD® tool comes individually calibrated traceable to NIST standards.

Please contact us today

to arrange an on-site demonstration!

Toll Free 877-576-2855



Standard	Deep Socket	Double Ended	Blank	Double Ended Blank	Retaining Clip
RAD-13366	RAD-13367	RAD-13368	RAD-13364	RAD-13365	RPT-12733

ALSO AVAILABLE FROM GLOBAL MINING PRODUCTS



ELECTRIC SERIES

Torque Range
100-2300 ft. lbs.

- ✓ Quick adjust torque settings
Fast and accurate "dial a torque" for maximum versatility and efficiency.
- ✓ Soft-start vary speed trigger
Allows operator to safely and quickly set reaction arm before full torque is applied.
- ✓ Equal power in forward and reverse
Convenience and cost effective use of same tool for break away and final torque.
- ✓ Advanced ultra-durable electric motor design
Extreme duty designed to reduce maintenance cost and increase reliability.



DIGITAL ELECTRIC

Torque Range
400 - 2500 ft. lbs.

- ✓ Ideal for applications where compressed air or electricity is not readily available.
- ✓ DIGITAL display with colour screen
- ✓ Single Increment digital torque settings
- ✓ Fully programmable preset torque settings
- ✓ Advanced durable electric motor design



DIGITAL BATTERY

Torque Range
100-1300 ft. lbs.

- ✓ DIGITAL and PROGRAMMABLE Pistol Grip Torque Wrenches.
- ✓ Ideal for applications where compressed air or electricity is not readily available.
- ✓ Unmatched power, VERSATILITY, and reliability in a lightweight portable tool.
- ✓ Stall type tool capable of accuracy of +/-5%, and repeatability of +/-2%.
- ✓ Single speed and high speed models available



ELECTRONIC SERIES

Torque Range
100 - 6000 ft. lbs.

- ✓ Push-button select torque
Fast and convenient error-free digital single increment torque setting
- ✓ Lightweight and ergonomic pistol grip design
Advance low-profile handle to reduce operator fatigue and increase productivity
- ✓ Extremely low noise level only 75db
World's quietest extreme torque gun, ideal for sensitive environments and standards
- ✓ Data collection capability
All E Series tools come with data collection software allowing traceability of each torque sequence performed
- ✓ LED Green (Pass) or Red (Fail) indicator lights
Unmistakable visual signal indicates status of torque procedure for maximum accuracy and speed



PNEUMATIC SERIES

Torque Range
100-8500 ft. lbs.

- ✓ PATENTED planetary gear reduction
Delivers one of the highest power-to-weight ratios of any pneumatic controlled bolting system
- ✓ Smooth continuous flow of controlled torque
Eliminates destructive hammering
- ✓ Lightweight ergonomic pistol grip design
Reduces operator strain and injury; resulting in increased productivity
- ✓ Unmatched reliability and quality
Delivered by one of the most advanced engineered gear boxes on the market